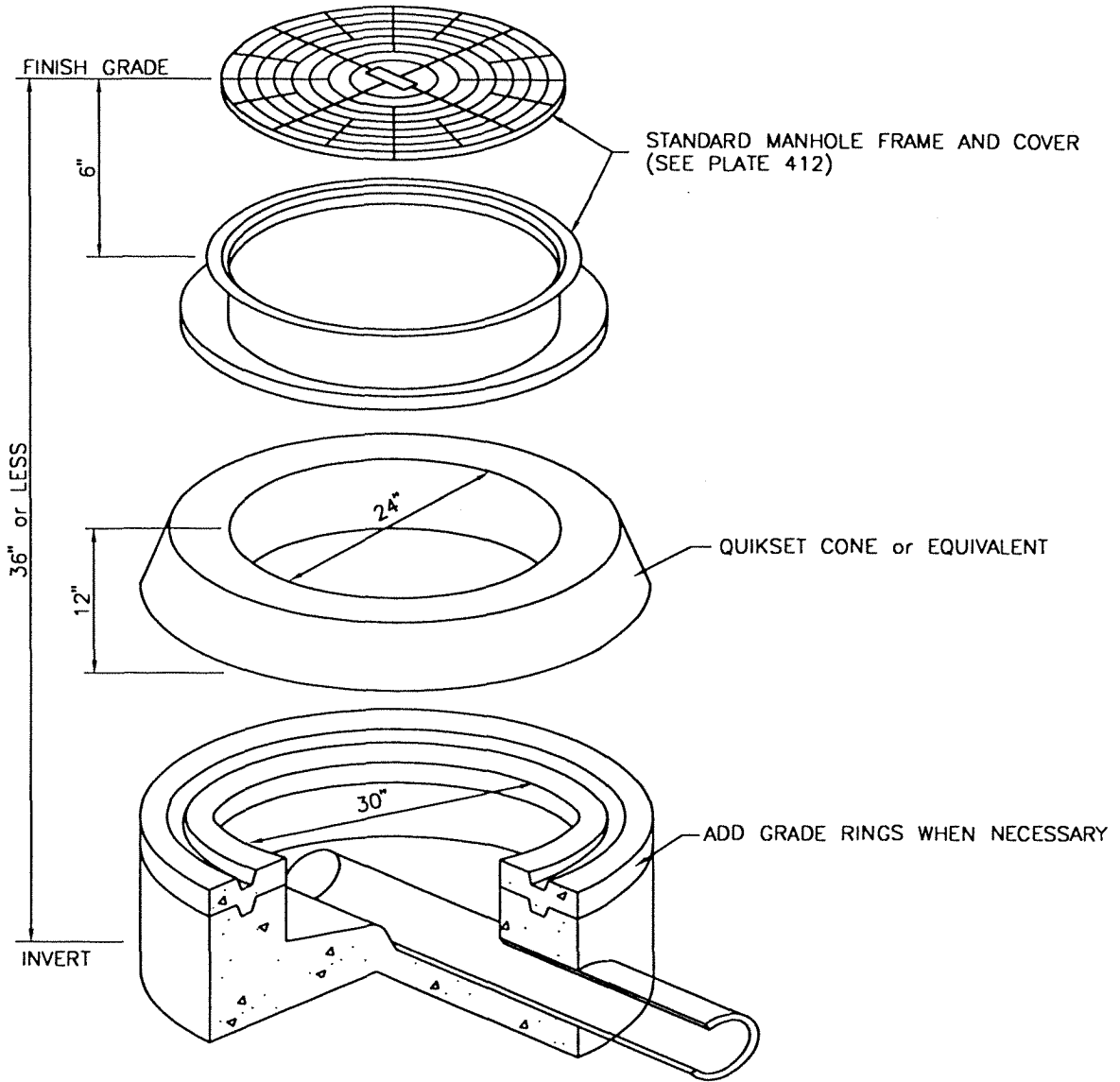


REV.	APPR. BY	DATE

REV.	APPR. BY	DATE



NOTES:

1. SEE PLATE 400 FOR ADDITIONAL NOTES NOT MODIFIED BY THIS PLATE
2. USE CONCENTRIC CONES UNLESS OTHERWISE SPECIFIED.



CITY OF

SHALLOW MANHOLE

STANDARD PLAN
2002

DRAWN: STAFF CKD.: STAFF *LB*
Department of Public Works

APPR. *Granville M. Bowman*
Granville M. Bowman

PLATE 408

SHEET 1 OF 1