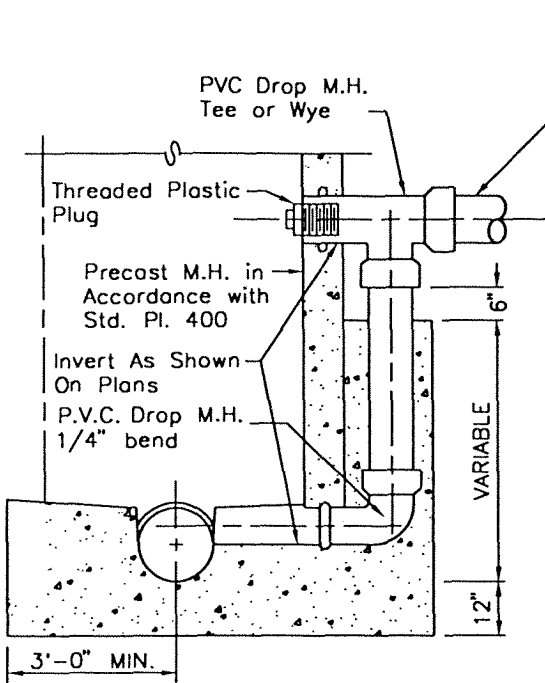
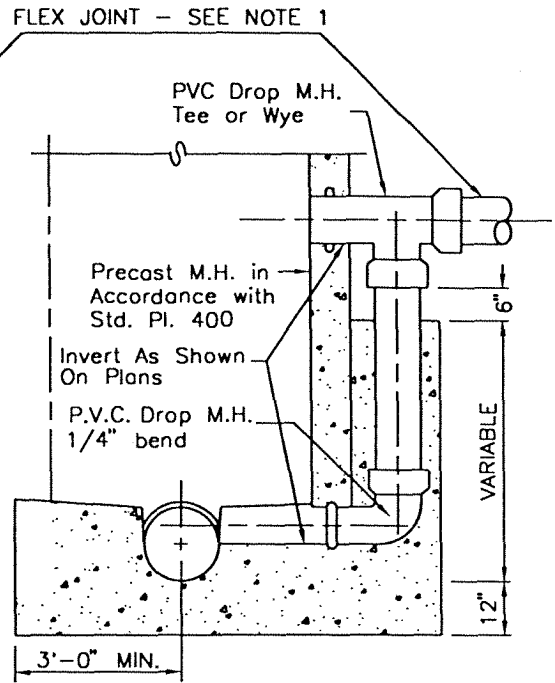


REV.	APPR. BY	DATE

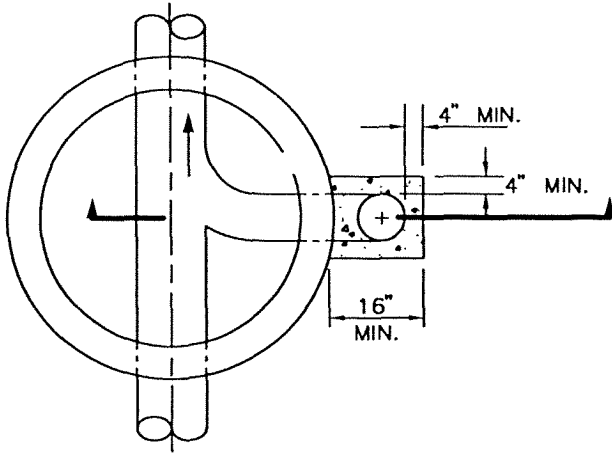
REV.	APPR. BY	DATE



SECTION VIEW
PRESSURE FLOW CASE



SECTION VIEW
GRAVITY FLOW CASE



PLAN VIEW

NOTES:

1. PROVIDE FLEX JOINT WITHIN 1' OF TEE
2. FOR NEW CONSTRUCTION, FOUNDATION FOR DROP SECTION TO BE POURED INTEGRAL WITH M.H. BASE.
3. FOR PLASTIC SEWERS, PLACE TIGHT FITTING RUBBER RING OVER PIPE AT MID-POINT WHERE IT PASSES THROUGH CONCRETE WALL.
4. P.C. CONCRETE SHALL BE IN ACCORDANCE WITH THE STANDARD SPECIFICATIONS.
5. SEE PLATE 400 FOR ADDITIONAL DETAILS OF MANHOLE CONSTRUCTION.



CITY OF

DROP MANHOLE

STANDARD PLAN
2002

DRAWN: STAFF CKD.: STAFF *LB*

Department of Public Works

APPR. *Granville M. Bowman*
Granville M. Bowman

PLATE 411

SHEET 1 OF 1