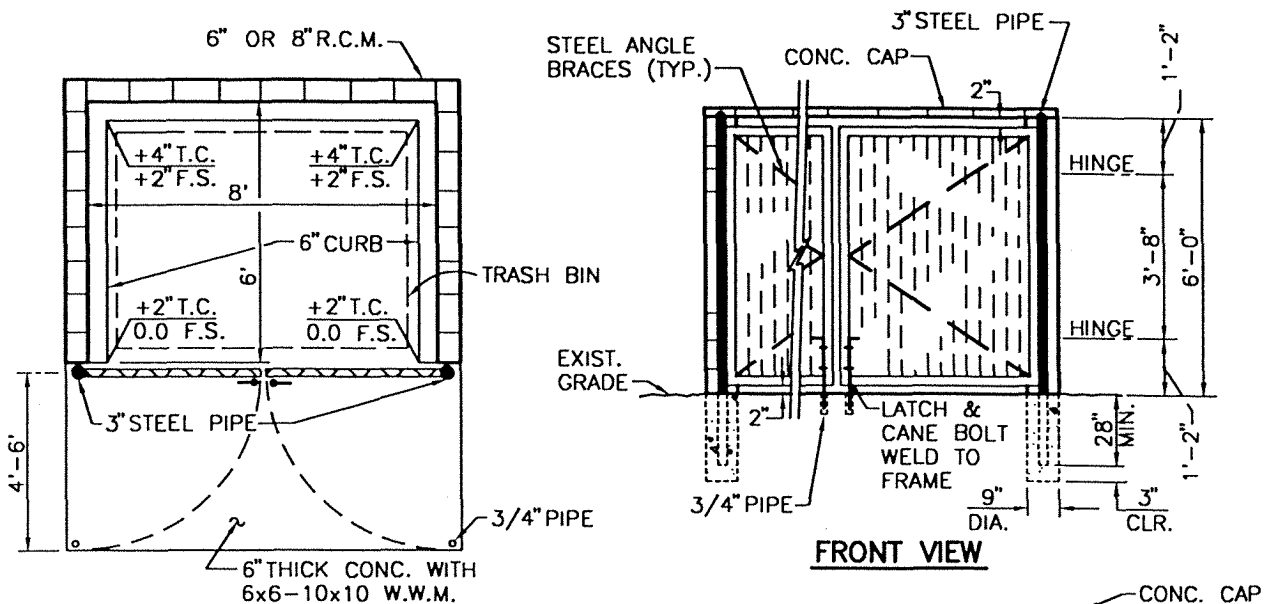


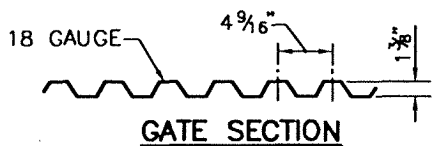
REV.	APPR.	BY	DATE

REV.	APPR.	BY	DATE

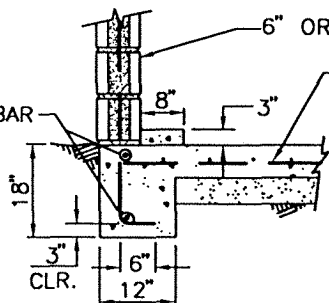


PLAN VIEW
(4 YARD)

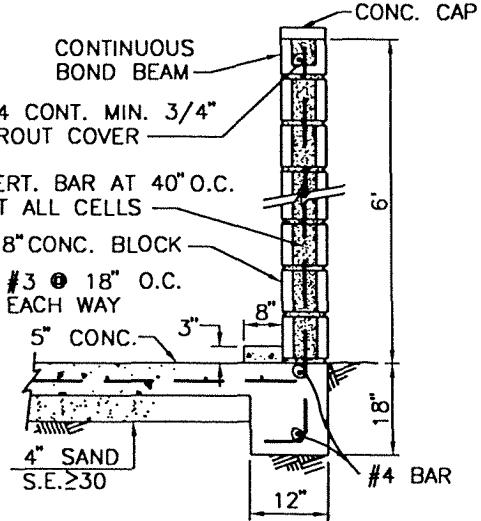
FRONT VIEW



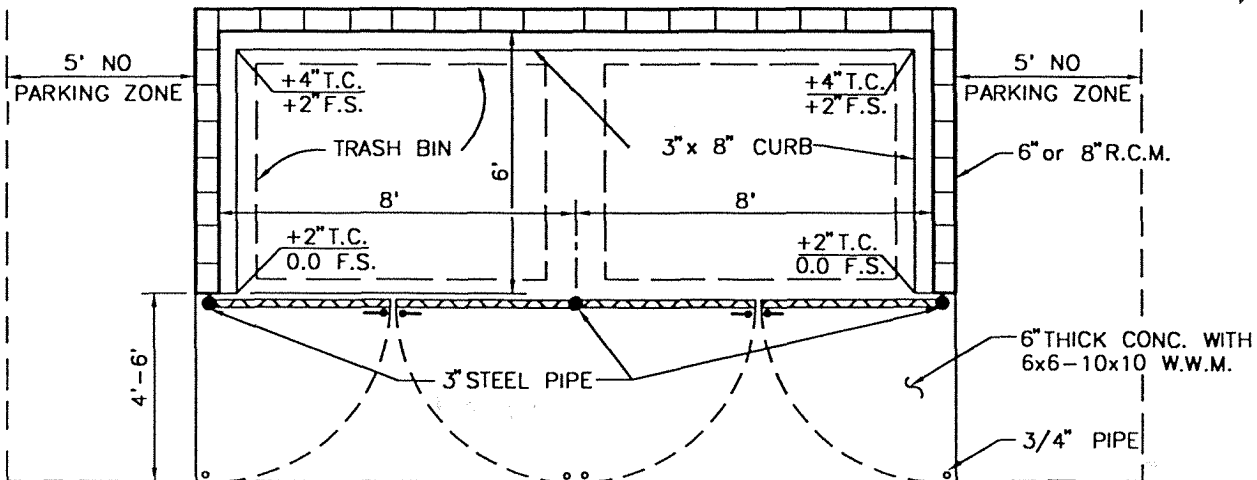
GATE SECTION



FOOTING SECTION



ALTERNATE FOOTING



PLAN VIEW
(DOUBLE 4 YARD)

	PARALLEL REFUSE CONTAINER ENCLOSURE WITHOUT SIDE ENTRANCE		STANDARD PLAN 2002
	DRAWN: STAFF	CKD.: STAFF	PLATE 605
	Department of Public Works		APPR. Granville M. Bowman

SHEET 1 OF 2

NOTES

1. WALLS: SLUMPSTONE BLOCK, REINFORCED AND CAPPED. STRUCTURE TO BE APPROVED PRIOR TO CONSTRUCTION BY DEVELOPMENT SERVICES DEPARTMENT.
2. GATES: SHALL BE STEEL FRAMED WITH STEEL ANGLE BRACE TYPE METAL 18 GAUGE AND STEEL MINI V-BEAM PANEL AND THE GATE ITSELF, SHALL BE HUNG ON A 3" STEEL PIPE, CONCRETE FILLED THAT IS NOT ATTACHED TO THE ENCLOSURE.
3. SIZE: ENCLOSURE SIZE FOR SINGLE FOUR YARD CONTAINER IS TO BE 6' DEEP AND 8' WIDE AND FOR DOUBLE FOUR YARD IS TO BE 6' DEEP AND 16' WIDE. SIZE OF ENCLOSURE TO BE DETERMINED IN ADVANCE OF CONSTRUCTION BY THE REFUSE SUPERINTENDENT.
4. LOCATION: TO BE DETERMINED IN ADVANCE OF CONSTRUCTION FROM PLANS SUBMITTED TO THE REFUSE SUPERINTENDENT. CONSTRUCTION SHALL BE IN ACCORDANCE WITH CITY OF OXNARD ORDINANCE-SECTION 34-9.4, 15-19, AND 15-26.
5. FLOOR: SHALL BE OF CONCRETE, WITH A MAXIMUM SLOPE OF 2" TO DRAIN ENCLOSURE, AND FLUSH WITH ADJOINING PAVEMENT
6. LATCH: A LATCHING ASSEMBLY IS REQUIRED WITH CANE BOLTS ON BOTH GATES TO HOLD IN OPEN AND CLOSED POSITION WITH 3/4" PIPE TO HOLD THE CANE BOLT.
7. ACCESSABILITY: ENCLOSURE LOCATIONS SHOULD NOT BE BEHIND ANY LOCKED GATES, CHAINS, OR FENCES. IF ENCLOSURE LOCATIONS ARE SITUATED BEHIND LOCKED COMPLEXES, THE CONDITIONS FOR PICKUP WILL BE FORMALIZED IN A WRITTEN AGREEMENT SIGNED BY THE OWNER AND APPROVED BY THE REFUSE SUPERINTENDENT. THIS AGREEMENT MUST BE APPROVED PRIOR TO APPROVAL OF PLANS. CONTACT THE REFUSE PROGRAM FOR DETAILS AT 385-8060.
8. ROOF: A SOLID ROOF WITH 8' FEET OF CLEARANCE IS REQUIRED ON ALL TRASH ENCLOSURES.
9. GREASE INTERCEPTOR: TRASH ENCLOSURES SERVING FOOD PREPARATION FACILITIES, GAS STATIONS AND GROCERY STORES SHALL INCLUDE A TRAFFIC RATED TRENCH DRAIN WITHIN THE ENCLOSURE WHICH DRAINS THROUGH A GREASE INTERCEPTER TO THE SEWER SYSTEM. OTHER USES MAY BE REQUIRED TO INSTALL A TRENCH DRAIN AS DIRECTED BY THE CITY ENGINEER.
10. FIRE SPRINKLERS: FIRE SPRINKLERS MAY BE REQUIRED BY THE CALIFORNIA BUILDING CODE OR THE UNIFORM FIRE CODE.
11. PARKING: NO PARKING SPACES ARE ALLOWED WITHIN 5 FEET OF EDGE OF ENCLOSURE.

REV.	APPR. BY	DATE

REV.	APPR. BY	DATE

 <p style="font-size: small;">CITY OF</p>	REFUSE CONTAINER ENCLOSURE WITHOUT SIDE ENTRANCE		STANDARD PLAN 2002
	DRAWN: STAFF	CKD.: STAFF <i>GF</i>	APPR. <i>Granville M. Bowman</i> Granville M. Bowman
Department of Public Works			